



IRRIGATION

Applying pesticides with center-pivot irrigation no. 4.713

By Frank B. Peairs and Stanley D. Pilcher¹

Applying Chemicals With Center Pivot

There are an estimated 5,000 center-pivot irrigation systems in Colorado, covering approximately 650,000 acres. This represents one-fifth of the irrigated acres in Colorado, and a substantial portion of the intensively-managed irrigated acres. The majority of these systems are located in the Ogalalla area of eastern Colorado, while another large group is found in the San Luis Valley. Corn, potatoes and small grains are perhaps the major crops irrigated in this manner, but alfalfa, sugar beets and other crops also are irrigated by center-pivot systems.

The idea of applying agricultural chemicals through center-pivot irrigation systems is not a new one. The application of fertilizers was first suggested in the late 1950s and became a common practice by the end of the following decade. Pesticides were next to receive attention.

Much of the early work on herbicides was done by P.E. Heikes of Colorado State University. Applying pre-plant herbicides in this manner assures sufficient soil moisture for "activation," and in minimum tillage systems eliminates most of the problem of "tie up" by the crop residues. The desired depth of soil incorporation can be achieved by regulating the amount of water applied. Most herbicides must be incorporated mechanically when applied by other methods. On the negative side, pre-plant or pre-emergence herbicides need to be applied just before or very soon after planting when irrigation may not be needed, although the amount of water used is less than normally would affect a germinating crop.

M. Harrison of Colorado State University and others have studied the application of fungicides through center-pivot irrigation systems for control of such potato diseases as early blight. Disease control with sprinkler-applied potato fungicides was as effective as aerial applications.

Insecticides were first successfully applied through a center-pivot system in Colorado in 1976 by W. Hantsbarger and S. Pilcher of Colorado State University. At first this technique was limited in accuracy, but with the advent of adjustable diaphragm pumps accuracy became acceptable even for the synthetic pyrethroids that are applied at rates of .05 pounds active ingredient per acre. Since that first trial, 14 formulations of seven different insecticides have been tested on field corn and have given good control of first and second generation European corn borer, adult western corn rootworm and western bean cutworm.

Advantages and Disadvantages

The pros and cons of applying pesticides in this manner are the subject of constant debate, particularly in comparison with aerial application. Among the advantages for center-pivot applications commonly proposed are reduced application costs, uniformity of application, timeliness of application, possible

Quick Facts...

Applying agricultural chemicals through center-pivot irrigation systems is not a new idea.

The pros and cons of applying pesticides in this manner are the subject of constant debate particularly in comparison with aerial application.

The major disadvantage of this application method is the potential hazard posed to groundwater by the backflow of pesticides into the well when the irrigation pump is shut off; other problems are overflows, chemical spills and application of pesticides to adjacent crops or noncrop areas.

Correct application and safety procedures can minimize problems.

**Colorado
State**
University[®]
Cooperative
Extension

reduced operator hazard, possible reduced chemical requirements and improved canopy penetration. Many of these observations have not been tested and sufficient data to support or deny any of them are lacking.

The major disadvantage of this application method is the potential hazard posed to groundwater by the backflow of pesticides into the well when the irrigation pump is shut off. Another problem is water flowing into the nurse tank, which can occur if the injection pump is shut off and the irrigation pump continues to run. This can cause overflows and chemical spills. If the irrigation pump stops and the injector continues, an overapplication results, possibly causing crop damage and environmental contamination.

Finally, excess watering is common near the pivot and at the end gun, which can lead to overapplication, deep leaching and runoff of pesticides in these two areas. Improperly adjusted end guns or windy weather also can result in the application of pesticides to adjacent crops and noncrop areas. These problems are minimized if the application and safety procedures discussed below are followed closely.

Application Methods and Safety

1. The injection pump

The point of injection should be between the check valve (see safety section 3a) and the vertical section of pipe (Figure 1). This will ensure good mixing of the water and the pesticide by the turbulence at the right-angle bends.

With current pesticides, an injection pump accurate to 1 percent is essential for precise, economical applications. The diaphragm pump is the only type presently capable of such accuracy. The pump also should allow for adjustments, without disassembly, during calibration to avoid hazard from chemical spills.

2. Calibration

As with any pesticide application method, good calibration is essential for economical control. Applying too little can result in poor control and subsequent yield loss, while applying too much wastes chemical and results in higher costs than are necessary for adequate control. The following calculations will allow you to determine the milliliters of pesticide solution per minute needed from the injection pump for the proper application rate.

a. **Circumference of the center pivot**

$$\text{Circumference} = 2 \pi R \quad (\pi = 3.14)$$

R = distance in feet from the pivot point to the last tower

b. **Acres to be treated**

$$\text{Acres} = (\pi R^2) / 43560$$

In this case, R includes the reach of the end gun.

c. **Rate of travel**

Measure the distance traveled by the last tower in 10 minutes, **while the system is delivering water at the volume desired for the application**, to determine feet per minute.

d. **Revolution time**

$$\text{Time} = \text{circumference in feet (from a)} / \text{feet/minute (from c)}$$

e. **Acres treated per minute**

Acres treated per minute = acres to be treated (from b) / revolution time (from d)

f. **Application rate**

Milliliters per minute = (milliliters of pesticide to be applied per acre) x (acres per min)

Once the application rate is known, adjust the injection pump. This is best accomplished by mounting a measuring cylinder (graduated in milliliters in-line between the nurse tank and the pump (Figure 3P). This is filled and the rate of emptying is monitored until the proper rate is achieved. Use short timings for coarse adjustments and longer intervals for the final checks. Recheck the injection pump several times during the application.

3. Safety

a. Install an **anti-backflow check valve** to prevent injected chemicals from siphoning into the well (Figures 1, 2E, 2F). This valve should be automatic, quick-closing, tightsealing and able to exert 1 pound per square inch (psi) backflow pressure. Equip the valve housing with a low-point, manual or automatic drain (Figure 2H) and an access port and/or drain plug between the valve and the well to allow inspection to ensure that the valve is functioning properly. Fit an air release-vacuum breaker (Figure 2B) between the valve and the well to prevent air locks that affect the functioning of the check valve.

b. Install an **in-line check valve** at the point of injection into the main water line to prevent the flow of water from the irrigation system back into the nurse tank and thus avoid overflow of chemicals on the ground.

c. The irrigation pumping plant and the injection pump should be **interlocked electrically** so that if the irrigation pump stops, the injection pump also stops. Additionally, operate irrigation systems in the automatic mode, so if the forward motion of the sprinkler system stops, both pumps will be shut off automatically. This will prevent pumping the entire contents of the nurse tank onto the area of the field under the stationary system.

d. The first two to three nozzles should be **shut off during the application** to avoid overapplication of pesticides in the well area. If end guns are used, adjust to eliminate application or runoff of chemicals to nontarget areas.

e. The person who is likely to apply pesticides through the center pivot system will be responsible for **proper disposal of the containers**. All containers must be triple rinsed, which is best accomplished by the following procedure recommended by the National Agricultural Chemicals Association.

- Empty the container into the spray tank and allow to drain in the vertical position for 30 seconds.
- Add a measured amount (1/4 to 1/5 of the container capacity) of water or other diluent to the container.
- Rinse the container thoroughly, pour into the spray tank, and allow to drain for 30 seconds. Repeat three times, then bring spray tank up to level.
- Crush the container immediately. Crushed, triple-rinsed containers may be buried at a sanitary landfill or on the farm. Containers too large to be crushed require special handling. **Never re-use a pesticide container.**

The above information on equipment, calibration and safety should allow the safe and economical application of pesticides through center-pivot systems. It should be noted that the legal aspects of this method will probably change, both at the state and federal levels. At the state level, well permits and certain safety equipment may become mandatory. At the federal level, the types of pesticides that can be applied this way may be restricted. **Be sure to read and follow all pesticide label precautions.** Your county Cooperative Extension agent can advise you of recent changes in this area.

f. For **additional information** on safety devices refer to fact sheet 2.801, *Chemigation: recommended safety devices*. For information on applying fertilizers see 0.512, *Fertigation: applying fertilizers through irrigation water*.

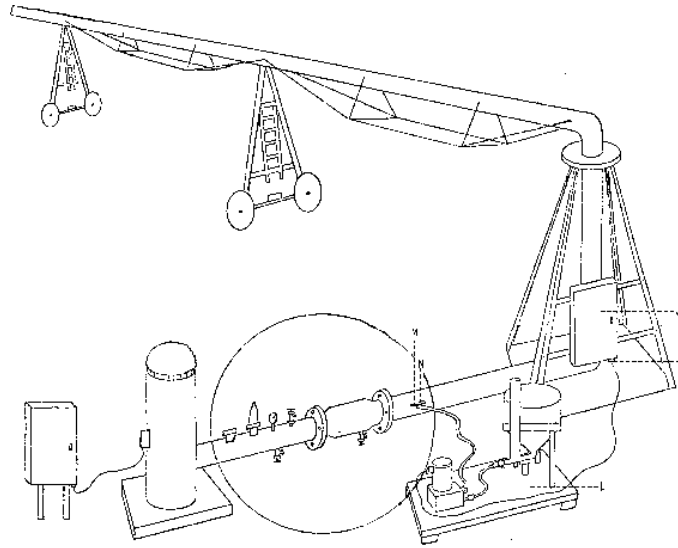


Figure 1: A center-pivot system.

- | | |
|--------------------------------------|------------------------------------|
| A—Two-inch nipple—observation hole | H—Low point drain valve |
| B—Vacuum pressure relief valve | I—Drain valve |
| C—Pressure gauge | J—Sprinkler electric control panel |
| D—Fresh water supply valve | K—Interlock electrical system |
| E—Anti-back flow cheek valve (unit) | L—Injection unit |
| F—Spring-loaded valve | M—In-line check valve |
| G—Injection port—in-line cheek valve | N—Injection hose—bleed valve |

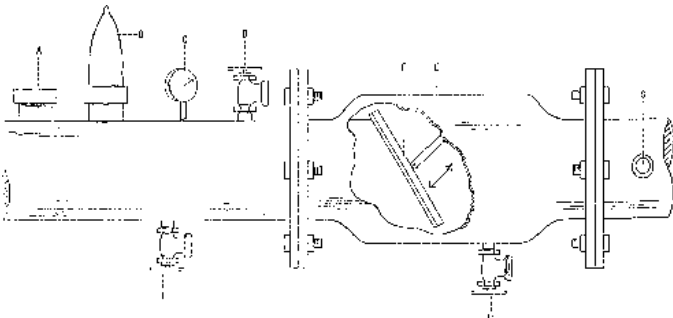


Figure 2: Close-up of section from Figure 1.

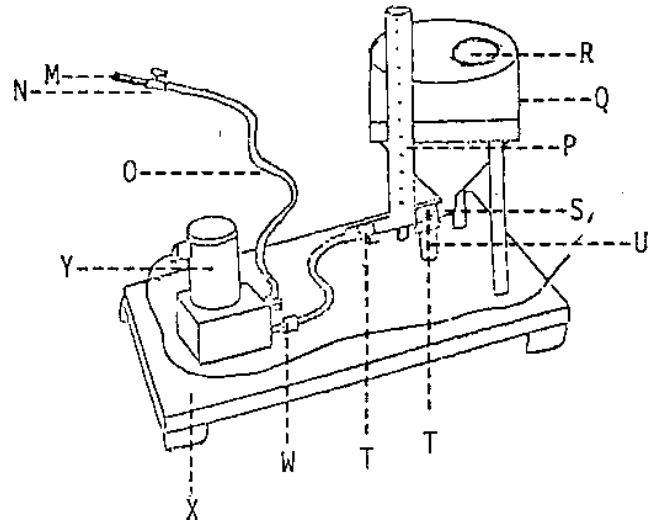


Figure 3: Pump and nurse tank section.

- | | |
|-------------------------|---------------------------------|
| M—In-line check valve | S—Drain |
| N—Air lock bleed valve | T—On-off valve |
| O—Nylon hose | U—Filter |
| P—Calibration cylinder | W—Threaded nylon couplers(2) |
| Q—Nurse tank | X—Drainable platform |
| R—Nurse tank lid—vented | Y—Cone diaphragm injection pump |

¹Frank B. Peairs, Colorado State University Cooperative Extension entomologist and professor, bioagricultural sciences and pest management; Stanley D. Pilcher, Cooperative Extension entomologist, Golden Plains Area.

Issued in furtherance of Cooperative Extension work, Acts of May 8 and June 30, 1914, in cooperation with the U.S. Department of Agriculture, Milan A. Rewerts, Director of Cooperative Extension, Colorado State University, Fort Collins, Colorado. Cooperative Extension programs are available to all without discrimination. To simplify technical terminology, trade names of products will occasionally be used. No endorsement of products mentioned is intended nor is criticism implied of products not mentioned.